

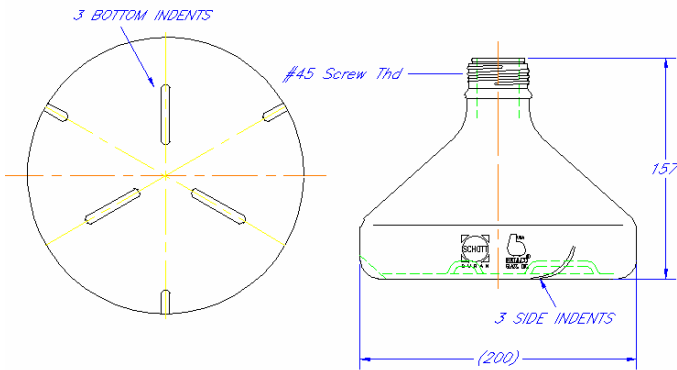
New Product Release #340

Fernbach Flasks No Baffles with GL45 Blue PP Membrane Cap Fernbach Flasks 3 Bottom Baffles with GL45 Blue PP Membrane Cap Fernbach Flasks 3 Bottom & 3 Side Baffles w/GL45 Blue PP Membrane Cap

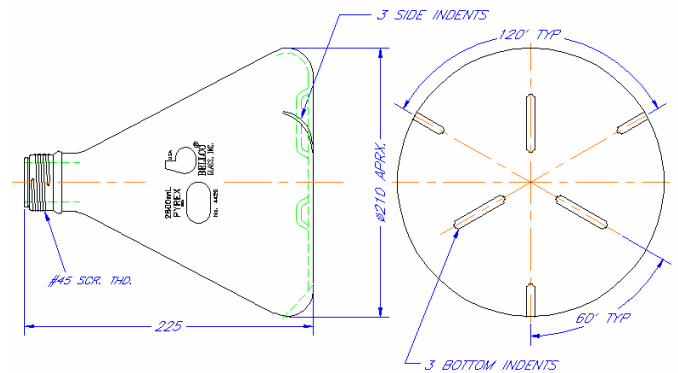
Bellco now offers Fernbach Flasks in 3 configurations with autoclavable polypropylene GL45 membrane caps and polyethylene pouring rings.

The Fernbach Flasks are manufactured from Type 1 Class A Borosilicate glass that provides chemical stability and durability. The flasks feature a GL45 neck finish with one option having 3 side baffles positioned at 120° and a second option having 3 side and 3 bottom baffles also at 120° which are offset from the side baffles (see bottom view). This configuration insures optimal mixing of flask contents for maximum results. All flasks feature a white matte logo with volume and marking spot.

The autoclavable polypropylene GL45 membrane cap has a sealed in 0.2μ PTFE membrane and is suitable for filling, packing, transporting and storing media. The membrane cap has a temperature resistance of 140°C and the PTFE membrane is gas permeable allowing it to be tightened onto the flask during the autoclaving process. A polyethylene pouring ring is included preventing spillage during pouring of flask contents. All items packed 1 per case.



2552-62180



2552-62280

Stock No.	Description	OD x OAH (mm)
2552-18000	1800mL No Baffles	200 x 157
2552-28000	2800mL No Baffles	210 x 225
2552-01803	1800mL 3 Side Baffles	200 x 157
2552-02803	2800mL 3 Side Baffles	210 x 225
2552-62180	1800mL 3 Side/3 Btm Baffles	200 x 157
2552-62280	2800mL 3 Side/3 Btm Baffles	210 x 225



Contact: (856) 691-1075 · (800) 257-7043 · FAX: (856) 691-3247
 Bellco · 340 Edrudo Road · Vineland, NJ · 08360
 E-Mail: cservice@bellcoglass.com · Internet: <http://www.bellcoglass.com>

